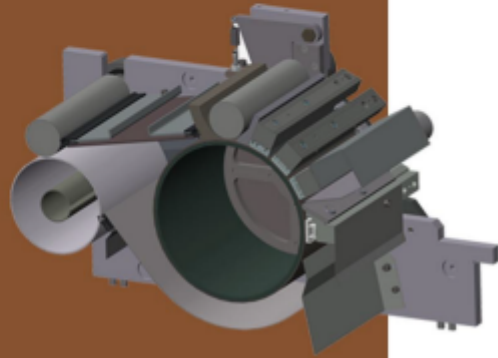


Creating
value from
cotton
IS NOW
WITHIN
REACH

The Microspin Line

Microspin's minimalist approach to fibre processing (International Patent PCT / IN 2011 / 000856) ensures that the natural fullness and bounce of cotton is preserved.

Fibres are carded by aerodynamics and buoyancy, rather than brute mechanical action. No wonder, the fabrics exude a zest for life and a passion for colours.



20's to 40's count Ne
Premium Textured



0.1 Unit / Kg
Lint to Roving :
6 times better !



Electronic Speed
Control, Overload
protection



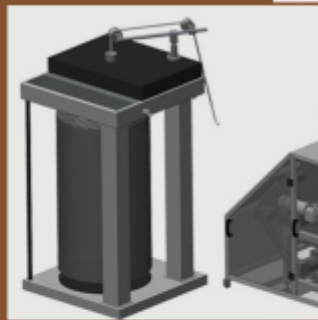
Aircraft - Grade
Aluminium Chassis



Safe - Fully enclosed
Open door protection

blow-card®

Autonomous Coiler :
Coiler not mechanically
connected to the
machine, giving flexibility
of positioning.



Breakthrough Design:
Integrating blow room line
with carding in a small foot
print



Input - 28+mm
Cotton Lint



Output :
Dia 24" x 42" Cans
0.12 - 0.15 hank



Delivery Speed:
25 m/min




Operating Space:
10' x 16'

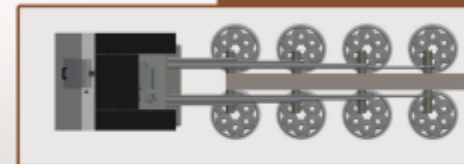
draw-frame


Input:
Upto 8 Slivers

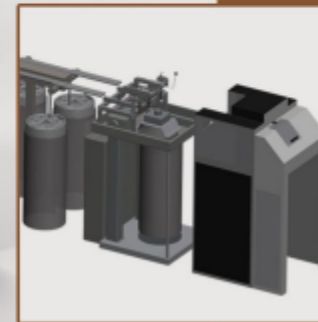

Output:
Dia 18" x 42" Can
Size, Single Delivery


60 ~ 150 m/min
Electronically
Configurable


Operating Space :
8' x 16'



Breakthrough Design:
Integrating drafting zone
within the coiler foot print




Autonomous Creel :
Not mechanically connected to
the machine.


Roll-away enclosures, easy for
maintenance.

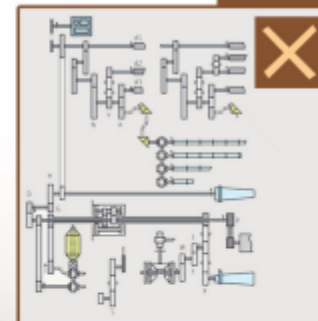
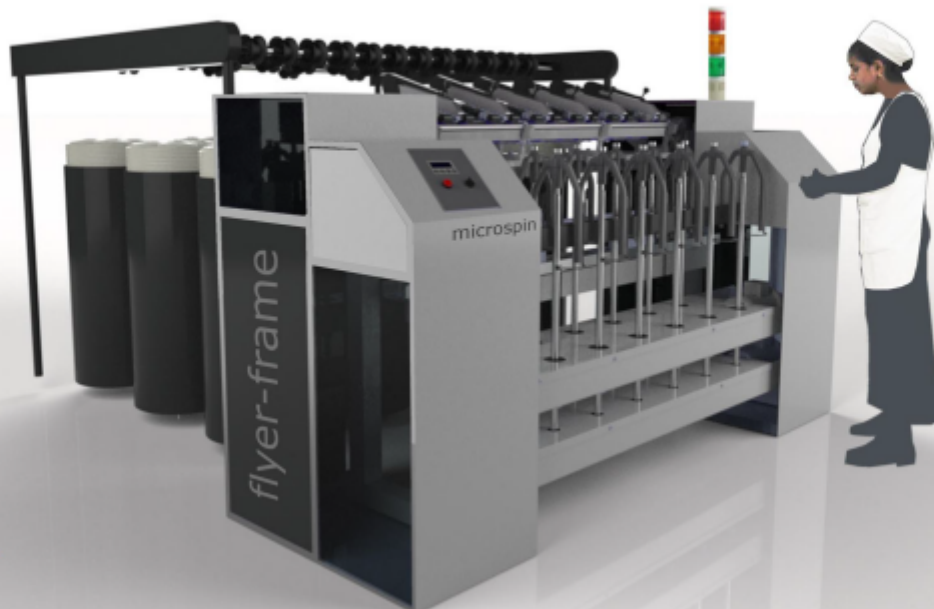
flyer-frame


Input:
24 Spindles

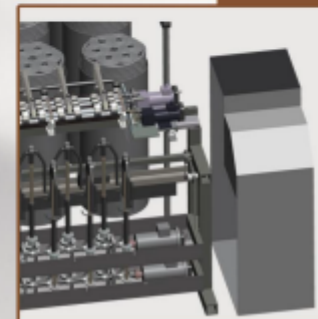

Output:
Dia 6" x 12"
Bobbin


600 ~ 750 RPM
Electronically
configurable


Operating Space:
28' x 8' - 2 Machines
12 Spindles each



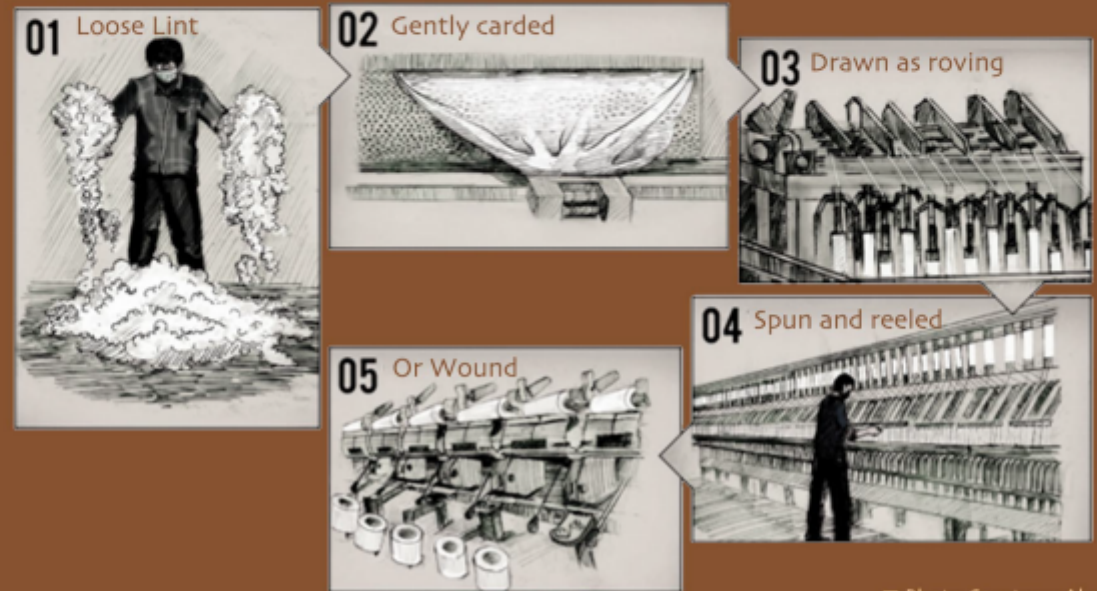
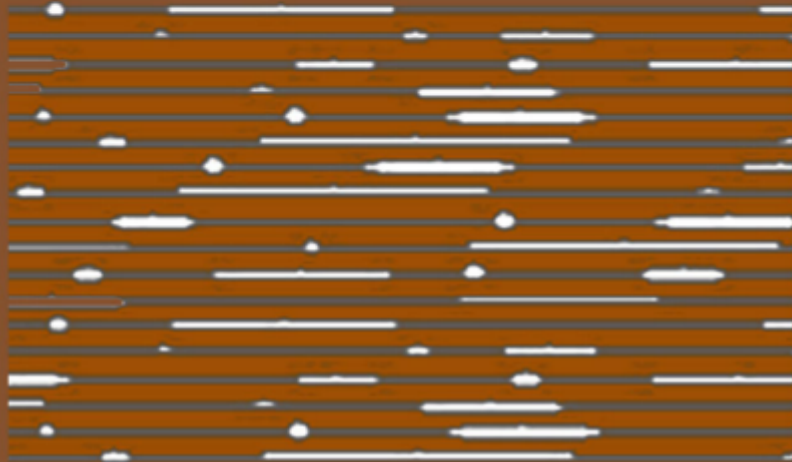
Electronic bobbin builder:
No differential gears, double
cone pulleys and complex gear
trains.



Independent motor drives for
easy and flexible settings.

Crafted Yarn™ : The look of linen with the comfort of cotton!

Moving away from plain and boring looks, Crafted Yarn™ brings a rich character to textiles through its distinctive texture of slubs and neps.



▼ Photo Courtesy: Akanksha Joshi



Microspin Machine Works Pvt. Ltd.
CIN: U29253TN2011PTC080314
Plot No. 35, North Street, Ganga Nagar, Jafferkhanpet, Chennai – 600 083
Phone : +91 98404 52817 | Email : info@microspin.co.in | Web : www.microspin.co.in